



ADM-1815AP-VHB

Panel Mount 15-inch 1000 nits Very High Bright Sunlight Readable LCD Display Monitor

Features

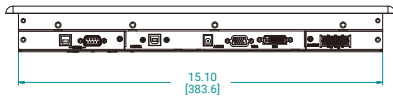
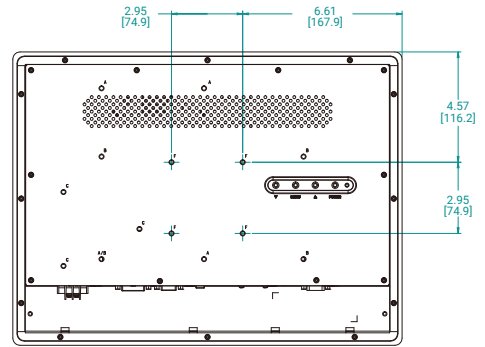
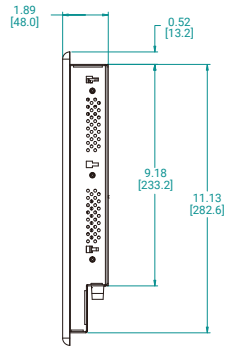
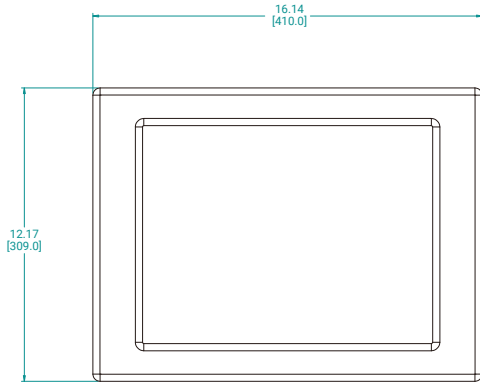
- 15-inch LCD Display, 1024 x 768 resolutions
- 1000 nits Very High Bright Sunlight Readable
- 5-Wire Resistive Touch Screen or Tempered Glass
- RS-232, USB Touch Interface
- Powder Coated Aluminum or Stainless-Steel Bezel
- Bezel meets IP65 / NEMA 4X requirements
- VGA, DVI Input
- 24VDC Operating Voltage option

Specifications

Model Name	ADM-1815AP-VHB
LCD Display	
Display Size (Diagonal)	15"
Max Resolution	1024 x 768
Backlight Lifetime (Hours)	50,000 hours
Visual Characteristics	
Colors	16.7 million
Aspect Ratio	4:3
Viewing Angle (V/H)	140° / 160°
Contrast Ratio	700:1
Brightness	1000 nits
Input Interface	
VGA	Yes
DVI	Yes
HDMI	N/A
Display Port	N/A
CVBS	N/A
YPbPr	N/A
Touchscreen	
Technology	5-Wire Resistive
Interface	RS-232, USB
Driver	WinXP, Win 7, Win10
Front Bezel	
NEMA 4	Black Powder Coated
NEMA 4X	Stainless Steel (Optional)
Power/Thermal Specs	
Power Requirement (Max)	12VDC / 1.50A, 24VDC / 0.75A
Power Consumption (Max)	18 W
Recommended Power Supply	26W
Heat Dissipation	62 BTU/hr
Physical Information	
Mounting	Panel Mount
Net Weight	11 lbs / 4.98 kg
Dimension (W x H x D)	14.51 x 11.80 x 1.89(*3.22) inch 368.6 x 299.8 x 48.0(*81.9) mm (*depth including power adaptor)
Recommended Cutout Dimension (WxH)	13.76 x 11.13 inch 349.5 x 282.7 mm
Environmental	
Operating Temperature	0~35°C (32~95°F)
Storage Temperature	-20~60°C (-4~140°F)
Humidity	5% to 95% (non-condensing)
Rating	Bezel Meets NEMA 4 / NEMA 4X requirements
Certification	N/A

Dimension Drawing

Model Name: ADM-1815AP-VHB
Size Unit: inch(mm)



Ordering Information

Item	ADM-1815AP-000-VHB	ADM-1815AP-001-VHB
LCD Display	VHB 15" / 1024 x 768	VHB 15" / 1024 x 768
Touch Screen	5-Wire Resistive	5-Wire Resistive
Mounting	Panel Mount	Panel Mount
Enclosure	Black	Black
Power Supply	24VDC Input	12VDC Power Adaptor

Item	ADM-1815AP-004-VHB	ADM-1815AP-005-VHB
LCD Display	VHB 15" / 1024 x 768	VHB 15" / 1024 x 768
Touch Screen	5-Wire Resistive	5-Wire Resistive
Mounting	Panel Mount	Panel Mount
Enclosure	Stainless Steel	Stainless Steel
Power Supply	24VDC Input	12VDC Power Adaptor

Item	ADM-1815AP-Z00-VHB	ADM-1815AP-Z01-VHB
LCD Display	VHB 15" / 1024 x 768	VHB 15" / 1024 x 768
Touch Screen	No Touch	No Touch
Mounting	Panel Mount	Panel Mount
Enclosure	Black	Black
Power Supply	24VDC Input	12VDC Power Adaptor

Item	ADM-1815AP-Z04-VHB	ADM-1815AP-Z05-VHB
LCD Display	VHB 15" / 1024 x 768	VHB 15" / 1024 x 768
Touch Screen	No Touch	No Touch
Mounting	Panel Mount	Panel Mount
Enclosure	Stainless Steel	Stainless Steel
Power Supply	24VDC Input	12VDC Power Adaptor